

# **POWER ACOUSTIK**

## **PD-930/ PD-930T**

## **PD-930B/ PD-930BT**

**Detachable 9" Monitor**

**Touch Screen**

**DVD/CD/MP3/MP4**

**AM/FM Radio**

**With Bluetooth (only for PD-930B/PD-930BT)**

**External TV box (only for PD-930T/PD-930BT)**



# **Owner's Manual**

**Take the time to read through this owner's manual.**

**Familiarity with installation and operation procedures will help you obtain the best Performance from your new DVD-receiver.**

## **WARNING!**

To promote safety, certain functions are disabled unless the parking brake is on. The Unit is designed to detect parked status and must be connected to the power supply side of the parking brake switch. Improper connection or use of his connection may violate applicable law and may result in serious injury or damage. To avoid the risk of damage and injury and the potential violation of applicable laws, this unit is not for use with a video screen that is visible to the driver.

- To avoid the risk of accident and the potential violation of applicable laws, the front Video image feature should never be used while the vehicle is being driven. Also, other video displays should not be in a location where it is a visible distraction to the driver. In some countries or states the viewing of images on a display inside a vehicle even by persons other than the driver may be illegal. Where such regulations apply, they must be obeyed and this unit's DVD features should not be used.
- Please remember to wear your seat belt at all times while operating your vehicle. If you are ever in an accident, your injuries can be considerably more severe if your seat belt is not properly buckled.
- The supplier waves any and all liability when these warnings are not followed.

## **OPERATION PRECAUTIONS**




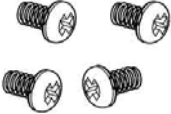
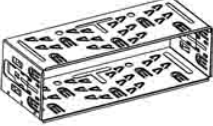
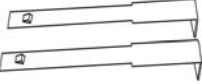
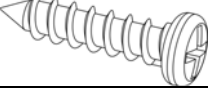

- Only connect to a 12Vdc battery and negative grounding.
- Avoid placing the product in direct sunlight, in areas with high levels of dust, high temperatures (over 40°C) or high humidity (over 90%). In case of high temperatures, cool down the car interior by means of ventilation or air-conditioning.
- Operate in well ventilated areas.
- Do not turn on or off the product in short intervals. When turning the unit off, wait for at least 10 seconds prior to turning the unit on again. Do not operate the player with scratched, bended or broken discs and when a disc is not loaded properly, do not force it into the player.
- Do not watch video playback while driving which will cause serious danger and risks of traffic accident. It may violate the laws and regulations.  
(There may be exceptional case, i.e., using rear view camera and navigation system)
- Do not install the unit where the operation for safety driving is restrained.
- Do not disassembly the unit by yourself, if need repairing, please take the unit to the after service center.
- Do not open and close the monitor manually, it may damage the monitor tilt system.
- Do not touch the LCD screen by hard objects, it may damage or give scratch to the LCD screen.
- If the back of monitor touches dashboard or air-conditioner inlet etc after open the monitor , then setup TILT level in monitor TILT menu to prevent damage from repeat touching.
- Car parking under direct sunlight may increase the temperature inside the car and the unit may not be in proper operation, please try it again after the temperature returns to normal.
- Do not replace the fuse on the power cable without professional guidance, using improper fuse may cause damage to the unit or even cause burn the unit.
- Do not use irregular shaped Disk.
- IR remote control operation may be hindered by monitor when the monitor is opened, thus please use the remote control at the similar level of remote control receiver.
- Do not install the unit where the cooling fan is blocked.

# CONTENTS

WARNING! .....	2
OPERATION PRECAUTIONS .....	2
ACCESSORIES .....	4
UNIT INSTALLATION AND REMOVAL .....	5
WIRING CONNECTIONS .....	7
PANEL .....	9
REMOTE CONTROL .....	10
REMOVE BATTERY .....	13
MAIN MENU .....	13
◆ RADIO PLAYER .....	14
◆ DVD PLAYER .....	15
◆ DISC/USB/SD/MMC INTERFACE OPERATION .....	16
◆ AV-IN MODE .....	16
◆ SETTING CONTROL .....	16
SOUND CONTROL .....	17
DISPLAY CONTROL .....	18
GENERAL CONTROL .....	18
RADIO CONTROL .....	18
DVD SET UP MENU .....	19
SYSTEM INFORMATION .....	20
CALIBRATION .....	20
TV SECTION(ONLY FOR PD-930T/PD-930BT) .....	20
BLUETOOTH SECTION (ONLY FOR PD-930B/PD-930BT) .....	22
SMART CONTROL(ONLY FOR PD-930/PD-930T) .....	24
OTHER FUNCTIONS .....	25
NOTES ON DISC .....	26
TROUBLESHOOTING .....	27
TROUBLESHOOTING .....	28
TECHNICAL SPECIFICATIONS .....	29

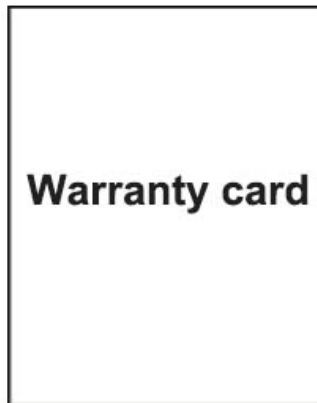
# ACCESSORIES

Package contains the following accessories for installation and operation of the unit.

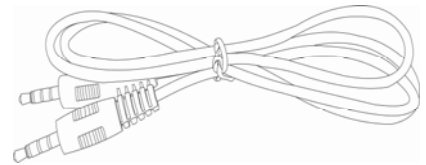
(1) Washer, Spring Washer, M5 Nut	1 each	
(2) Mounting Strap	1	
(3) Bolt	1	
(4) Screw	4	
(5) Mounting Collar	1	
(6) Release Key	2	
(7) Screw	1	
(8) Rubber Cushion	1	



Remote Control



Warranty card



Smart control cable (only for PD-930/PD-930T)



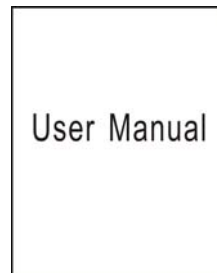
Power Cable

Note:

Product image may vary from the actual delivery.



Trim ring



User Manual

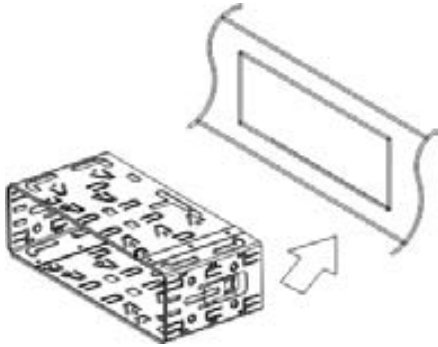


TV box (only for PD-930T/PD-930BT)

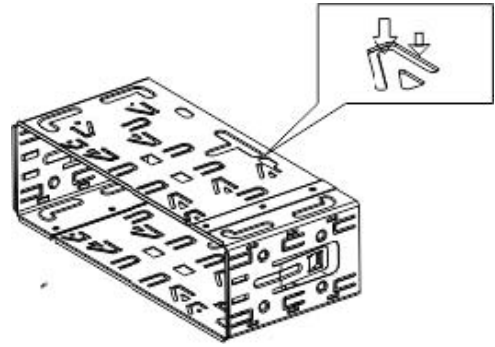
# UNIT INSTALLATION AND REMOVAL

## Installation:

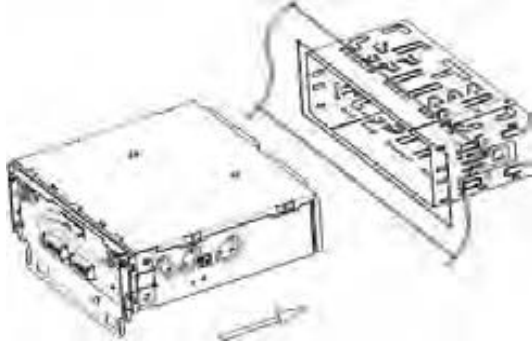
1) Install the mounting sleeve into the dashboard.



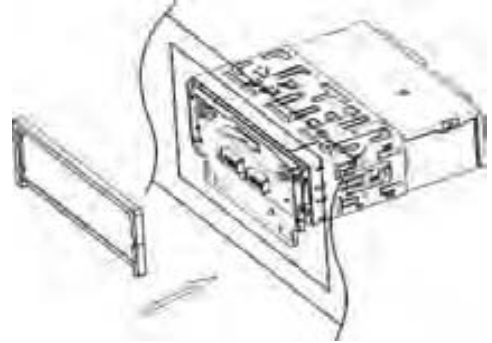
2) Bend the tabs into place to secure the sleeve.



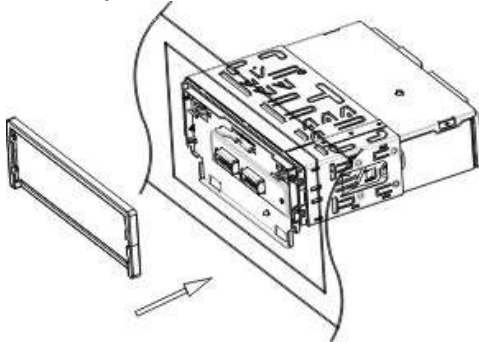
3) Slide the unit into the mounting sleeve.



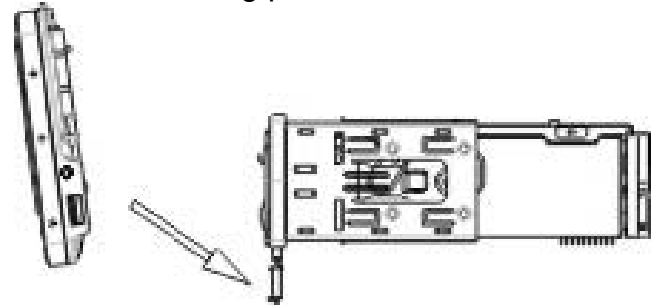
4) Install the trim bezel onto the unit.



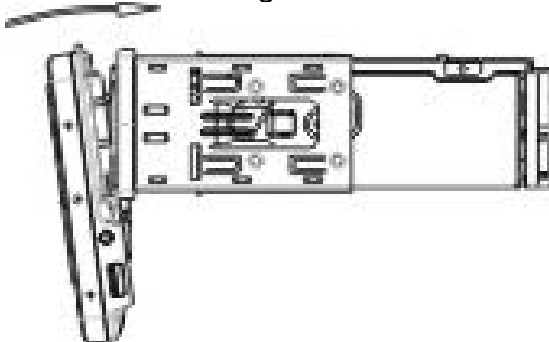
5) Install the panel to the unit.



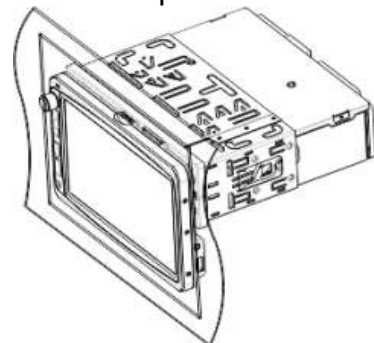
6) Make sure all faceplate tabs meet properly with the mounting plate.



7) Press the panel, make sure the gear locked to the mounting hole.

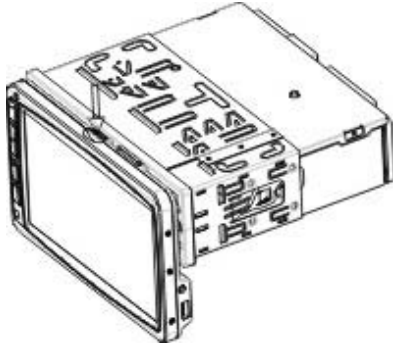


8) Illustration of completed installation.

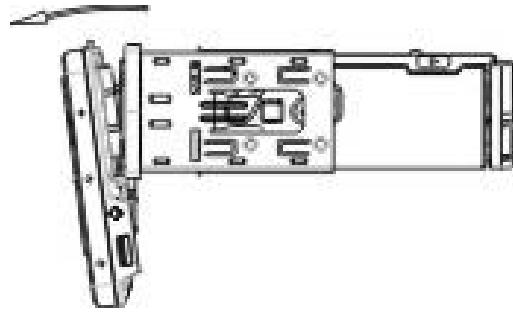


**Removal:**

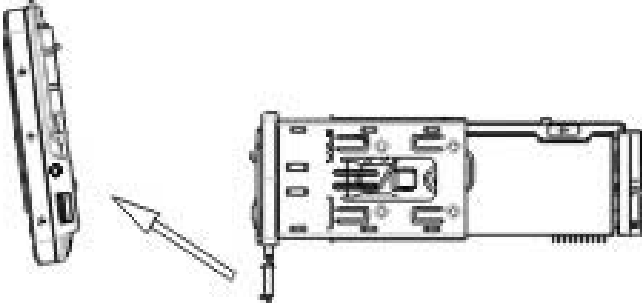
1) Press the button.



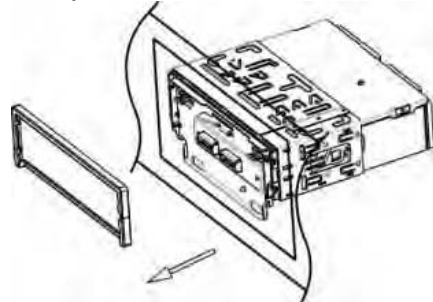
2) Safely detach the faceplate.



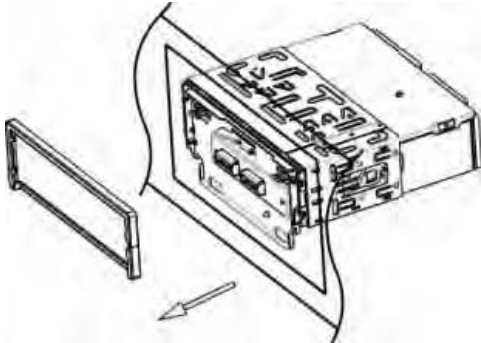
3) Take faceplate off of the mounting plate.



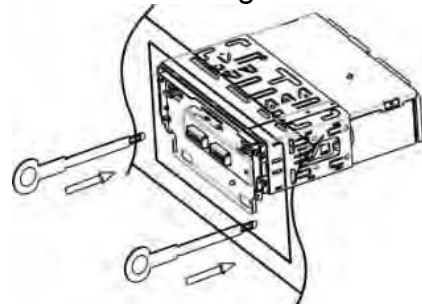
4) Take the panel out.



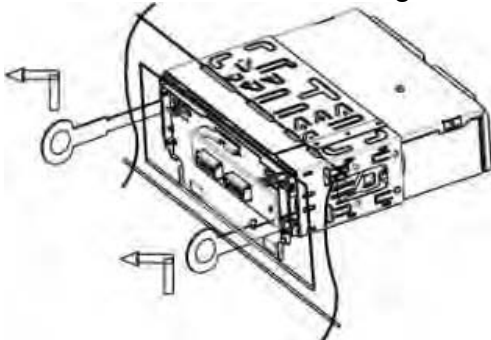
5) Detach the trim bezel.



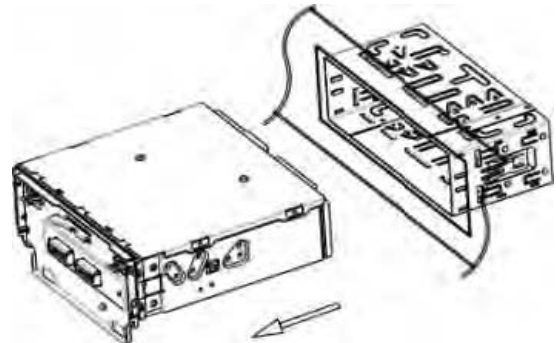
6) Insert the keys into the opening between the unit and the mounting sleeve to unlock.



7) Pull the unit out of the mounting sleeve.



8) Illustration of removal.



**Note:**

Before starting installation of the unit, make sure the wiring is connected properly.

Use only the parts provided with the unit to ensure proper installation.

The use of unauthorized parts may cause malfunction.

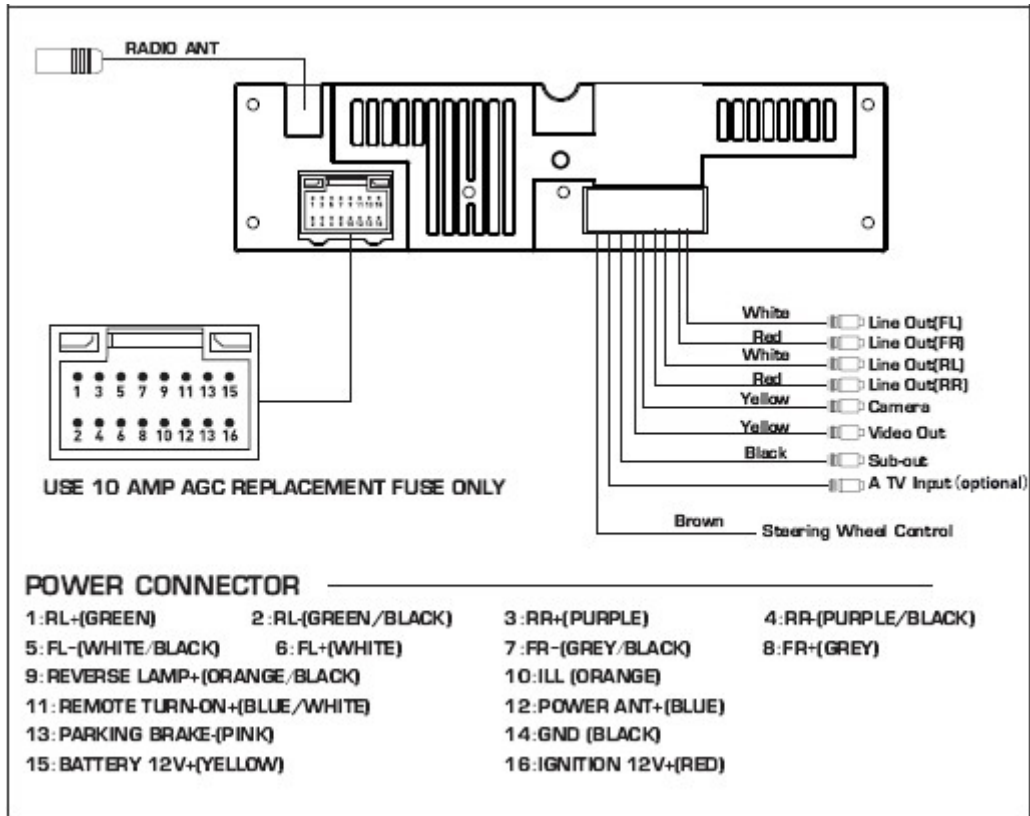
Install the unit where it does not get in the driver's way and will not injure the passenger in case there is a sudden stop, like an emergency stop.

The control panel can easily be damaged by shocks. After removing it, place it in a protective case and be careful not to drop it or subject it to strong shocks.

The rear connector that connects the main unit and the control panel is an extremely important part. Be careful not to damage it by pressing on it with fingernails, pens, screwdrivers, etc.



# WIRING CONNECTIONS



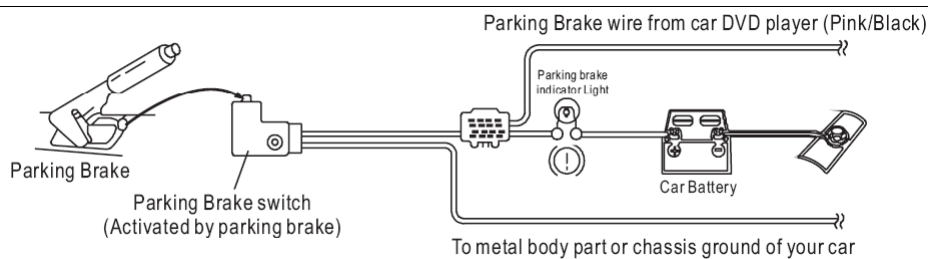
**NOTE:** Never connect cable to the system while it is connected to the battery power. Whenever the unit is disconnected from the battery, the preset memory will be erased and the unit will go back to its factory defaults.

When the brown cable for steering wheel control connected to the steering wheel, we can use the steering wheel to control some unit

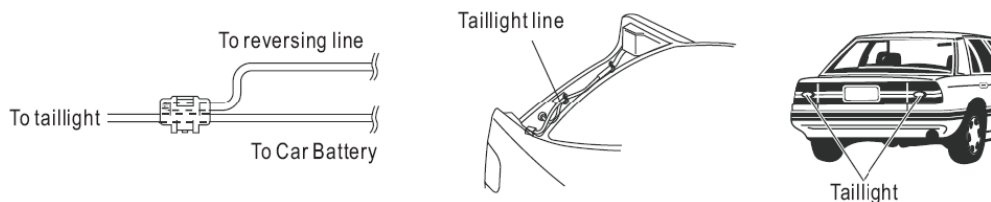
**Note:** To watch video the parking wire should be connected to break signal. 2 cables is connected to a Hands-Free device (not included).

## Parking wire

**Note:** The parking wire is connected with brake signal; for safety, the programs can be seen on the monitor after braking the car.



## Connecting the reversing line to taillight on the car



After connecting, when you start up the reverse gear, the unit will receive the picture from car rear view camera.

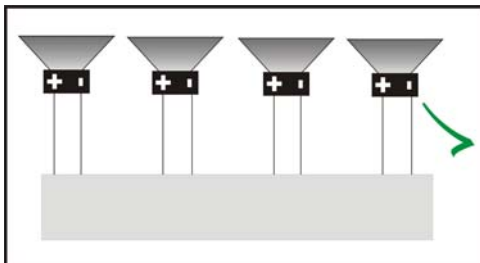
**Note:**

- Only use groundless loudspeakers.
- Use only loudspeakers of minimal 40Watt, using fewer watts may result in damaging your loudspeakers at higher volumes.
- Use 4~8  $\Omega$  (Ohm impedance) loudspeakers only; using higher or lesser impedance may damage the unit.
- Do not use 3-cable loudspeakers and do not connect the loudspeakers minus to the car body (GND). The unit is using a BTL circuit and each loudspeaker must be connected with insulated cables according the diagram.
- Loudspeaker cables and/or optional external power amplifiers must always be about 30cm away from the antenna and/or antenna extension parts.

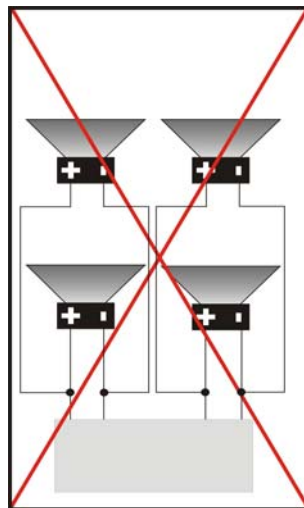
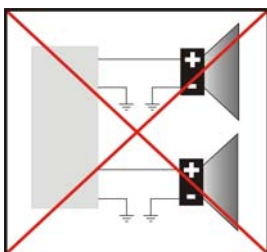
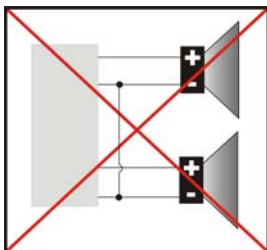
Connect the speakers according the following diagram, incorrect connections will damage the unit or your loudspeakers

**Correct connection**

**Left front - Right front | Left rear - Right rear**

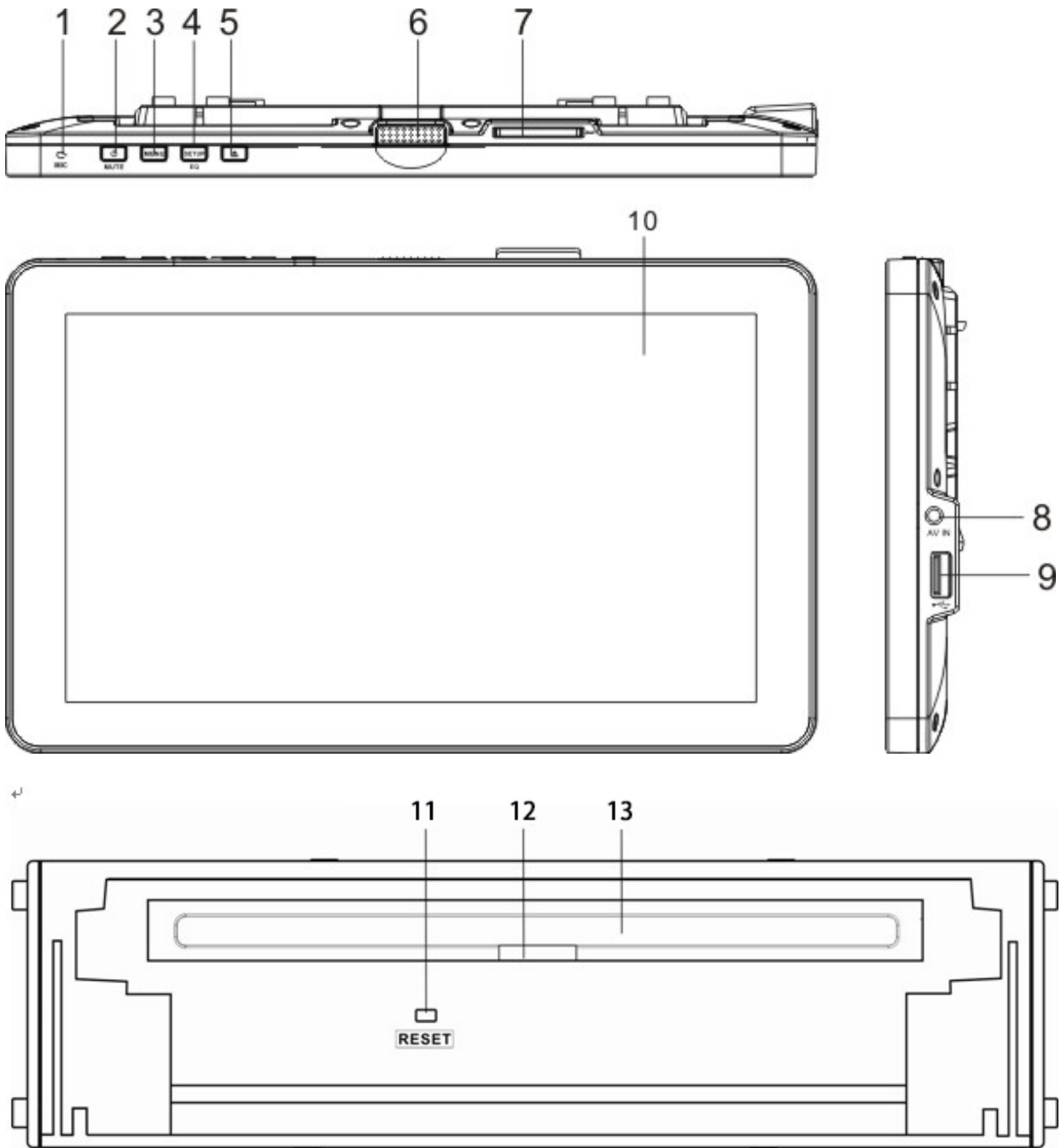


**Incorrect connections**





# PANEL



## 1. MIC

## 2. POWER/ MUTE button

Press it to turn on the unit. When the unit is on, short press it mute the volume output, long press it to turn the unit off.

## 3. MENU button

Press it to turn to the main menu quickly.

## 4. SETUP/EQ button

Press it to turn to setting menu quickly. Long press the button to enter into EQ setting.

## 5. EJECT button

Press to eject a disc. If the disc is not removed for about 10 seconds after eject, the disc is reinserted automatically.

Press and hold for 2 second to adjust the Monitor tilt angle: TILT ANGLE 1 => TILT ANGLE 2 => TILT ANGLE 3 => TILT ANGLE 4.

## 6. Release button

Press to detach and release the front panel. When the unit was released, it will switch off automatically after a few second. **Detach/Attach the Panel:** Press REL button and pull out the panel towards yourself to release the panel. To attach it, press the control panel into the main unit until the “click” sound is heard.

## 7. SD/MMC CARD slot

**SD/MMC** card slot, for Multimedia playback files only. Insert a SD/MMC CARD into this slot and the unit will automatically start reading and playback the card. \* Supported Music File Format: MP3, WMA Files.

## 8. AV-in Jack

Put the AV plug into the AV-IN jack which was marked on front panel.

## 9. USB slot

## 10. TFT display

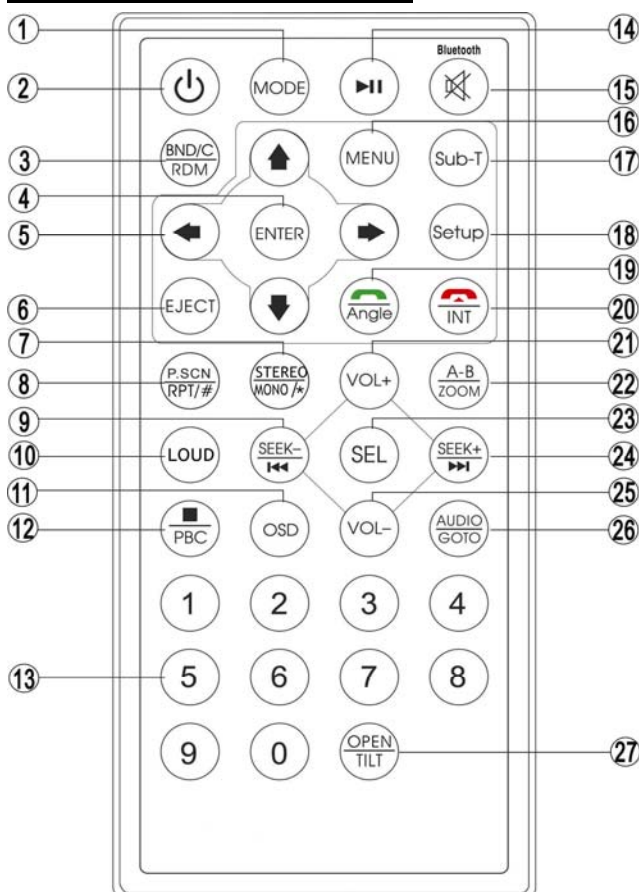
## 11. RESET button

Press it with a thin, sharp object. The device will then be reset to factory default settings.

## 12. Anti-Theft LED flash

## 13. DISC slot

# REMOTE CONTROL



- 1: MODE
- 2: POWER
- 3: BAND/RANDOM/CLEAR
- 4: ENTER
- 5: UP/DOWN/LEFT/RIGHT
- 6: EJECT
- 7: STEREO/MONO/\*
- 8: P.SCN/RPT/#
- 9: BACKWARD/SEEK-  
FAST BACKWARD
- 10: LOUD
- 11: OSD
- 12: PBC/STOP
- 13: DIGIT NUMBERS
- 14: PLAY/PAUSE
- 15: MUTE/BLUETOOTH
- 16: MENU
- 17: SUBTITLE
- 18: SETUP
- 19: ANGLE/ACCEPT (optional)
- 20: INT/REJECT (optional)
- 21: VOLUME PLUS
- 22: A-B/ZOOM
- 23: SEL
- 24: FORWARD/SEEK+  
FAST FORWARD
- 25: VOLUME MINUS
- 26: AUDIO/GOTO
- 27: OPEN(option without function)/TILT

## 1. MODE button

Press it to select the mode: Radio, DISC (if there is a disc in unit), USB (if there is a USB device in the unit), CARD (if there is a SD/MMC card in the unit), Bluetooth (only for PD-930B/PD-930BT) and AV IN.

## 2. POWER button

Power on or off

## 3. BAND/ RDM/CLEAR button

In Radio mode, press it to change radio band in sequence of FM1 → FM2 → FM3 → AM1 → AM2. In DVD mode, press to play randomly. In Bluetooth mode, press briefly it to clear single wrong number. Long press it to clear all the wrong number.

## 4. ENTER button

Press it to confirm selection or setting.

## 5. Cursor ▲/▼/ ◀/▶ buttons

Use the ▲/▼/ ◀/▶ buttons to select the menu item: the title, track or to show next frame.

## 6. EJECT button

Press it to eject the disc.

## 7. STEREO/MONO/\* button

Press STEREO button to select STEREO or MONO.

In BLUETOOTH mode, press it to make a \* symbol.

## 8. P.SCN/ RPT /# button

In SD CARD/ USB mode, press to repeat REP 1 => REP DIR => REP ALL

In DVD mode, press to start repeat REP OFF=>REP Chapter=>REP Title=>REP Off.

In Radio mode: PS (Preset Scan): Press to scan all preset stations in the memory of the current band and stay on each memory stations for about 5 seconds.

AS (Auto Save): Long press to save the stations with good reception automatically.

In BLUETOOTH mode, press it to make a # symbol.

## 9. ⏮ / SEEK- button

In DVD mode, Press ⏮ button to skip to the previous track. Press and hold ⏮ button for two seconds to activate fast reverse (REW) search in a track.

In RADIO mode, press ⏮ button to start searching automatic, press and hold for two seconds to start manual searching ⏮ button Frequency down.

## 10. LOUD button

Press to set LOUD on or OFF.

## 11. OSD button

In DVD mode press it to enter the OSD menu, press and hold for 2 seconds to set video setup. (HUE / SATURATION / COLOR RESET / BRIGHT / CONTRAST / SHARP / BACK)

## 12. STOP/PBC button

Press it to Stop playback from the current position, press it again to final stop to the very beginning. Press PLAY/PAUSE button to play.

Press and hold for two seconds to set PBC on/ off in VCD mode.

## 13. Digit 0-9 buttons

In radio mode, select 1-6 the desired band; In DVD mode, select track.

In BLUETOOTH mode, press it to input phone number, long press 0 number to make a + symbol

## 14. PLAY/PAUSE button

In DVD mode, press it to pause playback, press again to resume.

## 15. MUTE/BLUETOOTH button

✖ : Short press this button to mute the volume output, press it again to resume volume.

Long press this button to enter into Bluetooth mode.

## 16. MENU button

Press it to show main menu, in DVD mode, long press it to enter TITLE MENU (Enable only if the DVD disc with title menu).

## 17. SUBTITLE button

Press it to select the subtitle language (Available only if the disc with subtitle function).

## **18. SETUP button**

In DVD mode press it to enter the setup menu.

## **19. ANGLE /ACCEPT button**

In DVD mode, press it repeatedly to change the viewing angle (Available only with a recorded DVD file or DVD disc that has this function).

In BLUETOOTH mode, press to make a call after inputted a phone number or accept an incoming call.

## **20. INT /REJECT button**

Press it to activate the intro function. You can play the beginning of every track for 10 seconds in sequence.

In BLUETOOTH mode, press to reject a coming call or hang up while calling

## **21. VOL+ button**

Press to increase volume level.

## **22. A-B/ZOOM button**

During playback, press it at the starting point of section you want to repeat (A), press this button again at the ending point of the section you want to repeat (B), section A-B repeating starts. Press it again to cancel the A-B repeat function.

Press it and hold for two seconds in DVD mode to zoom the image in or out in the sequence of ZOOM 2-> ZOOM 3-> ZOOM 4-> ZOOM 1/2-> ZOOM 1/3-> ZOOM 1/4.

## **23. SEL button**

Press it to enter the SOUND SETTING menu, and press Cursor UP/DN buttons to choose an item and press cursor left/right buttons to set the item. Press SEL button again to exit the menu.

## **24. ►► / SEEK+ button**

In DVD mode, Press ►► button to skip to the next track. Press it and hold ►► button for two seconds to activate fast forward (FF) search in a track.

In RADIO mode, press ►► button to start searching automatic, press and hold for two seconds to start manual searching ►► button Frequency up.

## **25. VOL- button**

Press to decrease volume level.

## **26. AUDIO/GOTO button**

In DVD mode press it to select the audio language.

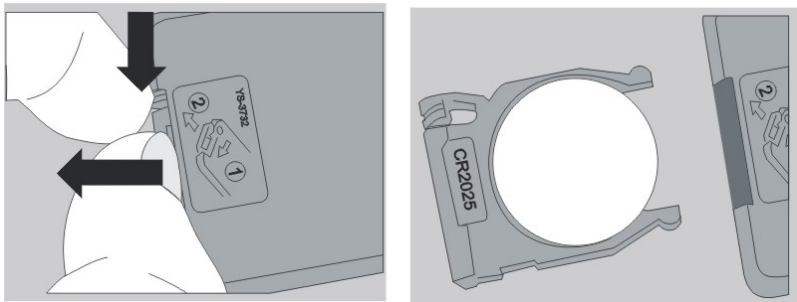
In VCD mode, press it to select the sound track in the sequence of MONO L =>MONO R =>STEREO.

Go to: in DVD mode, press and hold for 2 seconds to show TIME SEARCH menu, select number and confirm to go to certain position directly. When press ◀ button to enter TITLE/CHAPTER selection mode, select number and confirm to go to certain TITLE or CHAPTER position directly.

## **27. OPEN/TILT button:**

Press it to adjust the tilt angle of monitor.(The open button is an option without function)

## REMOVE BATTERY



### Note:

- The distance may vary according to the brightness of ambient light.
- If the remote is not used for an extended period of time, remove the battery to prevent possible damage from battery leakage and corrosion.
- Do not place any objects between the remote control unit and the sensor on the unit.
- Do not drop the remote control onto the floor; it will damage it beyond repair.
- Do not use the remote control unit, while simultaneously operating the remote control unit of any other equipment; they may interfere resulting in improper operation.
- The battery normally last for about one year although depending how often the remote control is used. If the remote control unit isn't working even when it is operated near the unit, replace the battery with a new battery of the same make and use only a lithium cell battery type: CR2025 (3V).
- Dispose empty batteries in accordance with your local governmental regulations.
- Do not short-circuit, disassemble, heat or dispose of fire or flames the battery.
- Keep the battery out of reach of children, should the battery be swallowed, immediately consult a doctor.

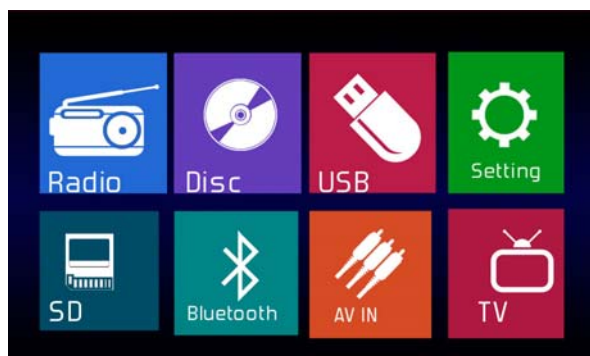
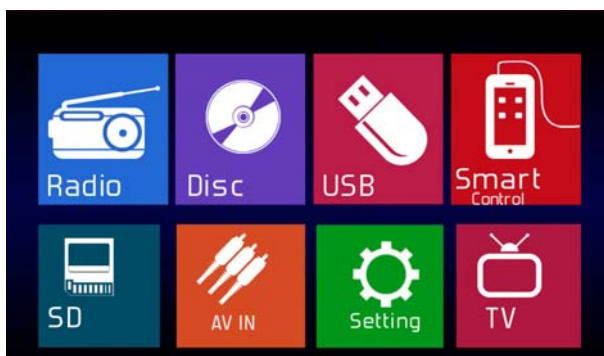
## MAIN MENU

The best way to discover the program is to explore each screen in detail, and to find out how to move from one to another. Read this chapter for a guided tour.

Unit starts by displaying the Main menu.

This is the root of the screen hierarchy, and you can simply access all features by tapping on the touch screen buttons.

Tap the icons to enter a desired mode.



## ◆ RADIO PLAYER

To start Radio, tap RADIO button on main menu screen.



Mute the sound..



Increase the volume.



Decrease the volume.



Touch this button can choose FM1, FM2, FM3, AM1, AM2.



Touch this button can scan the stations from 1-6, long touch it to save the stations with good reception automatically and scan each station for about 5 seconds.



Touch this button to search stations backward automatically.



Touch this button to search stations forward automatically.



Touch this button to open manual select station backward.



Touch this button to open manual select station forward.



## ◆ DVD PLAYER

To start DVD Player, tap on DVD button from main menu screen.

### TOUCH SCREEN MENU

You will not see any buttons while DVD is played. Buttons will appear when you tap on TFT screen. Tap the screen again to hide the buttons.



Insert DVD disc



Insert VCD disc

### NOTE

1. DVD Player will automatically start playing when you insert any DVD disc, MEMORY card or USB device.
2. Warning displays if the vehicle is moving for driver's safety.
3. DVD Player will not only play video, but also picture and music files as well.

### File Management

DVD mode plays files in a) Disc b) USB c) MEMORY card (MEMORY card slot in inner panel).

**VOL-** 20 **VOL+** VOL increase or decrease by touch the button accordingly.



Pause playback. Press it again to continue playback.



Press it to Stop playback from the current position, press it again to final stop to the very beginning.



Start fast rewind or fast forward. Press one of the keys again to change the spooling speed. Press the Play key to regain normal playback.



In DVD mode, touch it can choose Repeat chapter =>repeat title =>repeat off.  
In VCD mode, touch it can choose Repeat REP 1 => REP ALL => REP ALL.



Touch it to select the subtitle language (Available only if the disc with subtitle function).



in DVD mode touch it to select the audio language (Available only if the disc with subtitle function); In VCD mode touch it can choose MONO L---MONO R---STEREO.



In VCD mode touch it can choose PBC ON or OFF



In DVD mode touch it to enter TITLE MENU (Enable only if the DVD disc with title menu).



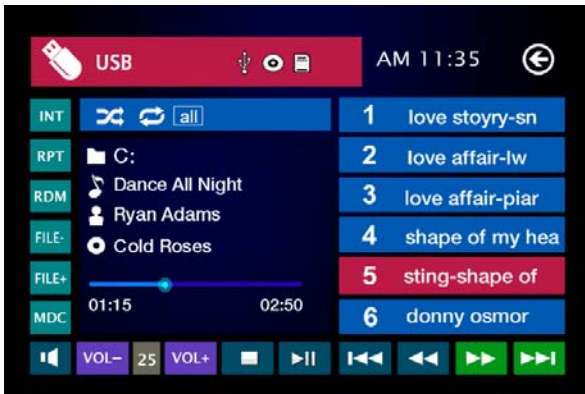
Touch it to select previous or next track.



Select the viewing angle of the touch-screen.

## ◆ DISC/USB/SD/MMC INTERFACE OPERATION

When a file disc, USB or a memory card is played, the screen will show following interface:



Mute the sound.



Stop button. Press it to stop playback from the current track, press it again to final stop to the very beginning



Play/pause button. Press it to pause the track, press again to resume.



Press it button to restart a track, FR×2×4×8×20-play will be display.



Press it button to skip to the next track. FF×2×4×8×20-play will be display.



Press it to skip to the previous track.



Press it to skip to the next track.



Press it to activate the intro function. You can play the beginning of every track for 10 seconds in sequence.



Press it to repeat REP 1 => REP DIR => REP



Press it to play track randomly.



Press it to enter previous page.



Press it to enter next page.




Press it to go to folder selection.

## ◆ AV-IN MODE

To start AV-IN Mode, tap on AV-IN button from main menu screen.

Connect the external audio/video signal source to this unit. Select AV-IN mode in the main menu or by pressing repeat Mode button on the front panel.

Note: If there is no external video input, the TFT displays “NO SIGNAL”.

Press the  icon to be back to main menu.

## ◆ SETTING CONTROL

Your device has default system settings. You can customize the settings to suit your personal needs. Once you change settings, your new settings will remain until you change it again.


To start SETTING, tap it on main menu screen.

# SOUND CONTROL

Tap SOUND button to show SOUND 1 menu.




EQ	Select EQ mode
BAS LEVEL	Bass up/down
TRE LEVEL	Treble up/down
BALANCE	Left/Right Balance Control
FADER	Front/Back Fader Control

Tap  button to show SOUND 2 menu.



BEEP	Set keypad sound on /off
LOUDNESS	Set loud on /off
LOUD LEVEL	Adjust loud level
SUBWOOFER	Set subwoofer on /off
SUBW LEVEL	Adjust subwoofer level

Tap  button to show SOUND 3 menu.



SUBW LPF	Select a subwoofer crossover option: 80HZ,120HZ,160HZ
----------	---

## DISPLAY CONTROL

Tap DISPLAY button to show DISPLAY menu.



SCREEN	Screen setting 16:9, 4:3,FULL
BACKLIGHT	Backlight setting LOW, MID, HIGH

## GENERAL CONTROL

Tap GENERAL button to show GENERAL menu.



TILT ANGLE	Adjust monitor tilt angle
CLOCK	Set clock display time on or off.
CLOCK HOUR	Set 24hour format or 12hour format
TIME	display time
AUTO CONNECT	Automatic Bluetooth connection to a previously connected mobile telephone. (only for PD-930B/PD-930BT)



SET TIME	Adjust clock display time
----------	---------------------------

## RADIO CONTROL

Tap RADIO button to show RADIO menu.



AREA	Set AREA: EUROPE, U.S.A, SOUTH AMERICA,RUSSIA
STEREO	Set STEREO ON or OFF
LOCAL	Set LOCAL ON or OFF

## DVD SET UP MENU

Tap the DVD button in main menu to enter the DVD player. Press the SETUP button to enter into the system settings main menu; press the up or down arrow buttons to move to the highlighted menu item and select one of the Setup Pages:



### [1]. Subtitle Lang setting:

With this option you can select the preferred language for the subtitles. When the selected language is recorded on the disc then this language will automatically be shown. If not, the first language recorded on the disc is displayed.

### [2]. Audio Lang setting:

With this option you can select the preferred language for the audio output. When the selected language is recorded on the disc (not all discs have multiple languages recorded) then this language will automatically be played. If not, the first language recorded on the disc is played.

### [3]. DVD Menu Lang setting:

With this option you can select the preferred language for the disc menu. When the selected language is recorded on the disc then this language will automatically be selected. If not, the first language recorded on the disc is displayed.

### [4]. MP4 Language

With this option you can select the preferred language for the MP4 menu.

### [5] Password:

The password for this unit is initially set to factory default 0000. If you want to change your password, you need to enter the old password first and confirm it, and enter a new password and confirm. **WARNING:** if you forget your password, there is no possibility to reset the password again. Do not forget your password and write it down or store the password in a safe place.

### [6] Rating / PARENTAL SETUP.

For DVD discs which support the USA rating system, setting up rating control can prevent children from watching content that might not be suitable for their age. You are asked to enter the password when you change the rating setting. The default password is 0000.

Code	Description
1.NONE	Kid safe
2.G	General Audiences – ALL ages admitted
3.PG	PARENTAL GUIDANCE SUGGESTED-Some material may not be suitable for children
4.PG-13	PARENTS STRONGLY CAUTIONED-Some material may be inappropriate for children under 13
5.PG-R	Restricted, under 17 requires accompanying parent or adult guardian.
6.R	RESTRICTED-Under 17 requires accompanying parent or adult guardian
7.NC-17	NO ONE 17 AND UNDER ADMITTED
8. Adult	Above 17 Admitted



## [7] TV SHAPE:

Set TFT screen mode to the correct ratio:

Three screen ratio modes are available, Normal/PS (4:3 Pan Scan), Normal/LB (4:3 Letter Box) and Wide (16:9). Different disc formats will display different images depending this setting and the screen size used.

## [8] NTSC/ PAL:

Select this menu item to set up your preferred video output format. PAL is commonly used in Europe. NTSC is commonly used in the USA and Japan. Auto is commonly used.

## [9] DEFAULT:

Factory reset. Set all values to Factory default values including memory and preset stations.

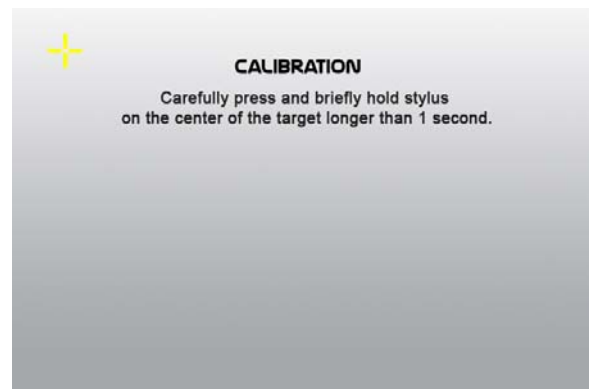
## SYSTEM INFORMATION

Press SYSTEM button to show the information of the system. You can view detail system information including serial number of the software.

## CALIBRATION

The calibration of the screen is useful when some malfunction occur with the touch screen and it needs adjustment.

CALIBRATION procedure of the touch screen is described as below: When the target moves to another position, tap and hold at the center of the new target. Repeat each time to complete the calibration process. When the calibration has been completed, the device switches back to the previous operating mode and retain the previous setting. If you press Reset button, the setting will return to factory setting.




## TV SECTION(ONLY FOR PD-930T/PD-930BT)

Connect a TV BOX to the TV antenna jack of the unit. Select TV mode, and then touch the center of the display; following interface will be display.




In TV mode, press the Play/Pause buttons on the RC once to enter TV menu setting; or press TV MENU icon on the main menu to enter TV menu.


1. Press the  on remote or tap the screen to select one of the setup pages: Auto program => Manual program.
2. To enter the selected page press ENTER button on the RC. Press UP/DOWN cursor buttons on the RC

Select this menu item is to set the storage number or touch the needed item on the screen to select an item, and then press ENTER button on the RC or press the item on the screen to



adjust the setting. Tap BACK button to return to the setup page.

3. Press the  icon to be back to main menu.

4. Press the  button to switch channel.

Note: This function is available when TV tuner is connected.

## TV MENU

### Auto program (Auto seek mode)

- **System**

Select the menu item is to set TV system: NTSC=>PAL=>SECAM, press ENTER button on remote or touch corresponding option on the touch screen to select.

- **Audio**

Select this menu item is to set the TV sound system:

- 1) When system setting PAL, TV sound system can set B/G=>I=>D/K=>M/N, press ENTER on remote or touch corresponding option on the touch screen to select.
- 2) When system setting SECAM, TV sound system can set B/G=>I=>D/K, press ENTER on remote or touch corresponding option on the touch screen to select.
- 3) When system setting NTSC, M/N sound system can be selected only.

- **Search**

Select this menu item is to start searching and storing stations automatically.

### Manual program (manual seek mode)

#### Storage

Select this menu item is to set the storage number.

- **System**



Select this menu item is to set TV system: SECAM => NTSC =>PAL, press ENTER button on the remote touch corresponding option on the touch screen to select.

- **Audio**



Select this menu item is to set the TV sound system:

- 1) When system settings PAL, press ENTER on remote or tap the screen button to select TV sound system: D/K=>M/N=> B/G=> I.
- 2) When system setting SECAM, TV sound system B/G=>I=>D/K.
- 3) When system setting NTSC, M/N sound system can be selected only.

#### Channel

Select this menu item is to set your desired searching channel, press  button on the RC to select one, or press  icon on the screen to select channel.

- **Fine**

Select this menu item is to fine TV tuning and sound until it achieves the best quality, press  button on the RC or press  icon on the screen to adjust.

- **Memory**

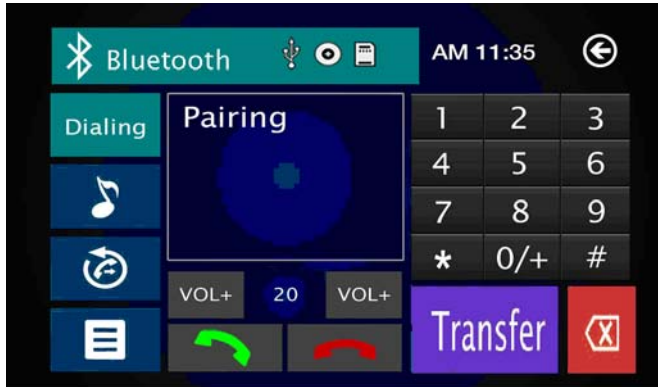
Select memory on or off is to set whether memory the searched station or not, press ENTER on remote or tap the screen button to select.

## BLUETOOTH SECTION (ONLY FOR PD-930B/PD-930BT)

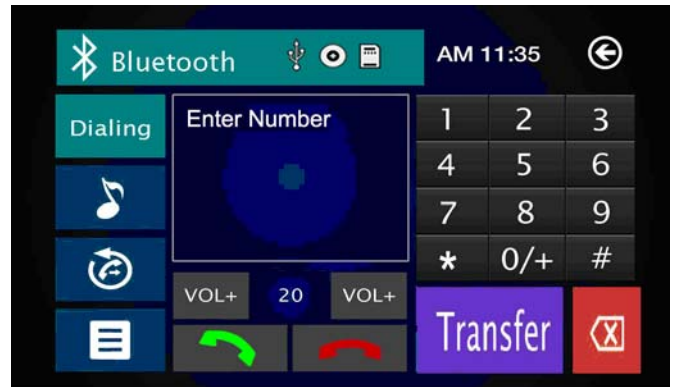
**Warning:** Driving and having a Telephone conversation at the same time is dangerous, please park your car before having a telephone conversation. The supplier waves any and all liability when this warning is not followed.

To enter Bluetooth mode, you can tap Bluetooth icon on Main menu or long press the mute/Bluetooth button on the Remote Control or press mode button on remote or on front panel.

### BT Main Menu



**Bluetooth disconnect mode**



**Bluetooth connect mode**

A user can make own choice by tap the buttons.

Tap CALLING button to use phone functions.

Tap MUSIC button to start BLUETOOTH music player.

Tap HISTORY button to check dialed, received, missed calls.

Tap PHONEBOOK button to use phone book functions.

### Pairing Mode

At the 1st time when using BLUETOOTH, you need to pair the mobile phone first.

When a phone have not been paired with the unit, the BT icon and Pairing mark will blink continually on the panel.

When the unit have connect with phone, the BT icon will turn on and the Mobile phone name (if available) will be display on the panel.

According to mobile pairing device manual, after searching new device, select it, input password "0000" and confirm ok, device paring is finished.



The text 'Enter Number' will shows on the panel after the pairing is completed. It means device is connected and ready for BLUETOOTH communication.

Auto-connect - Disconnect


When power on the unit, the last paired phone will be connected to the device via Bluetooth automatically, after searching about one minute, if the device cannot find the paired phone, it will stop searching. When in standby mode (unconnected), long press Bluetooth button on remote control to active auto-connect function and the device will search the last paired phone. If you want to disconnect the Bluetooth connection, turn off the Bluetooth on the phone.

### 1. CALLING BUTTON

**Tap on CALLING button to enter call mode.**

In Call mode, the unit can be used as your phone. Making and receiving calls are possible with BLUETOOTH. Simply tap phone number and tap  button to make a call, and tap  button to hang up.

1.) Tap CLEAR button shortly to delete a wrong digit, tap the CLEAR button or press RDM/C button on remote for 3-4 seconds to delete all the numbers at once.

2) Tap the  button for 3-4 seconds, the device automatically makes a call to the latest call in its call log.

### Voice Transfer

During a call, you can change a call from Bluetooth mode to phone by tapping Transfer button. To have a call in Bluetooth mode again, tap Transfer button.

NOTE: the phonebook only supports Western Characters. Any difference in character will be shown such as “+, \* or #”.

## 2. BT PHONE BOOK

The unit can downloading the data from phone automatically when the pairing between a phone and the unit be completed.

The unit displays the data which have been downloading from a phone.

Select a number and tap Send button to make a calling.

## 3. Call history mode

Tap HISTORY button to see history mode.

The unit can download automatically all the date from the mobile Phone.

Dialed /Received/Missed calls are saved In History mode .Tap Up/Down arrow load previous/next history record.

The calls in each category are orderly saved from the latest one to the final one.

Select a number and tap Send button to enter calling mode.

## 4. (A2DP) Music Mode

Tap MUSIC button to listen music in Bluetooth mode.

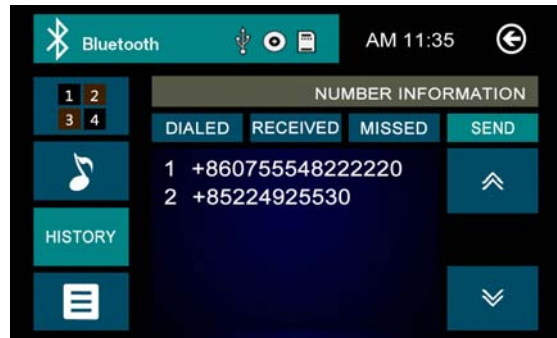
Tap the button for ‘music’ in Bluetooth main menu.

You can select the function with the key for previous, play / pause, stop, and next.

A2DP (Advanced Audio Distribution Profile) Music Player

A2DP is a function which can receive the audio frequency signal from the mobile phone, amplified by the car audio and played out by the car speakers.

Notice: your mobile phone need to support A2DP.



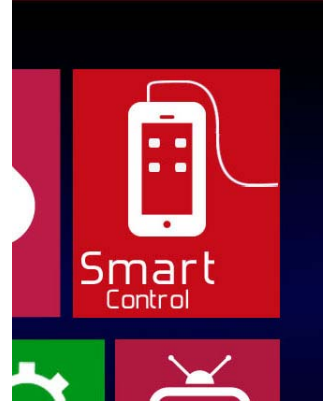
Tap the buttons on the screen as shown, or press corresponding buttons (PAUSE/PLAY, STOP, PREVIOUS/NEXT) on remote control to play, pause, play previous, or next music file.

## Smart Control(Only for PD-930/PD-930T)

Smart Control technology communicates hands-free calling and MP3 playback commands by the headphone connections of select Apple and Android devices. Incoming call answering, MP3 track advancement, and even voice command activation are easily enabled from the head unit touch-screen. Your mobile device can be kept in a secure location, ensuring safest driving practices.

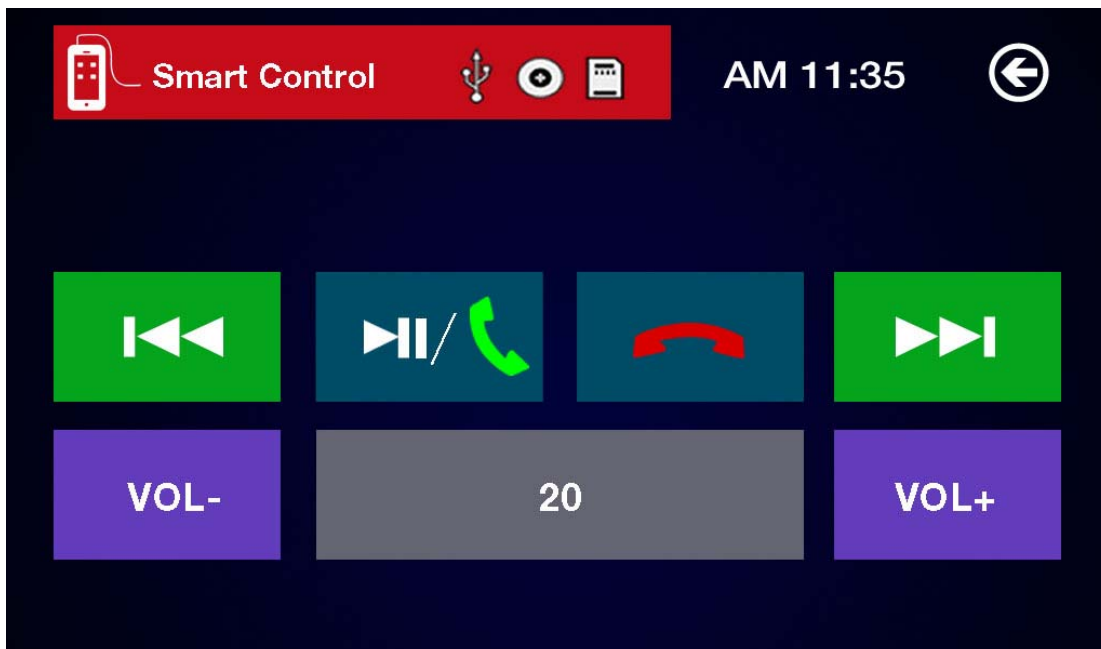
### Activating Smart Control

After connecting the provided Smart Control cable to the head unit and your mobile device, select the Smart Control icon on the desktop of the head unit.



### IMPORTANT NOTE

Before using the Smart Control function, please connect the provided AUX cable to the head unit AUX input and the headphone output of your mobile device.



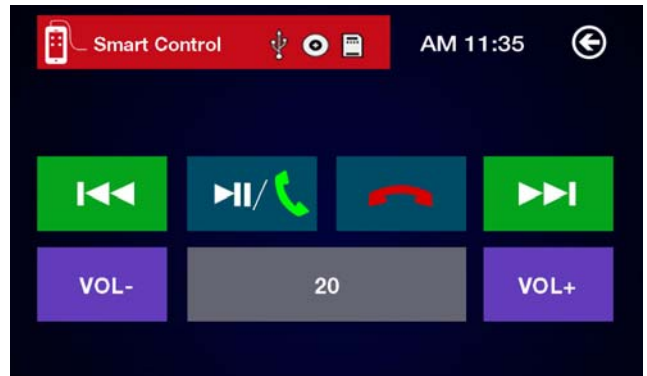
## General Operation

### Phone Calls

When receiving a phone call, press the play/pause icon (▶||/🟢) to answer the call. Press 📞 to reject or end the phone call.

### MP3 Playback

Press and hold ▶||/🟢 icon to activate MP3 playback mode, the most recently played song will begin. Press ⏮ or ⏭ icon to advance to the previous or next song. Press and hold ⏮ or ⏭ icon to rewind or fast forward the track. Press ▶||/🟢 icon to play/pause the track.



### IMPORTANT NOTE

- > If a call is received while using any of the other head unit applications (DVD, AM/FM, USB, etc.), Smart Control app should be activated before answering the call.
- > When a call is received, MP3 playback will interrupt. Select mobile devices may not play custom ringtones by Smart Control. Only the mobile device will play the incoming call ringtone.

### Voice Command (select mobile devices)

Press and hold 📞 icon to activate voice command functions.

Press ▶||/🟢 icon to exit voice command and continue music playback

Press 📞 icon again to activate voice command choices on the mobile device and continue music playback.

## OTHER FUNCTIONS

### Subwoofer

Connect the subwoofer to the unit using sub output (see electrical diagram). Tap MENU on screen enter into main menu setting choose setting menu. Choose SOUND and set subwoofer ON to enable subwoofer.

### Parking

When the car is stopped and the parking brake is working, the screen can display the video image, otherwise the screen can't display the video image

### Back View Camera

This unit is equipped with back view camera output. The camera is used to observe the situation behind the vehicle when you are backing the car.

Please connect your back view camera with the back car video input. And connect the reverse wire for back a car with the rear gear light. Rear view camera picture will be enabled when you are backing the car.



## NOTES ON DISC

- ✧ Only use groundless loudspeakers.
- ✧ Use only loudspeakers of minimal 40Watt, using fewer watts may result in damaging your loud speakers at higher volumes.
- ✧ Use 4~8  $\Omega$  (Ohm impedance) loudspeakers only; using higher or lesser impedance may damage the unit.
- ✧ Do not use 3-cable loudspeakers and do not connect the loudspeakers minus to the car body.
- ✧ (GND). Using a BTL circuit and each loudspeaker must be connected with insulated cables according the diagram.
- ✧ Loudspeaker cables and/or optional external power amplifiers must always be about 30cm. away from the antenna and/or antenna extension parts.
- ✧ If want to display for 9" TFT, parking wire must be connected to ground.

### Handling discs

#### Handling

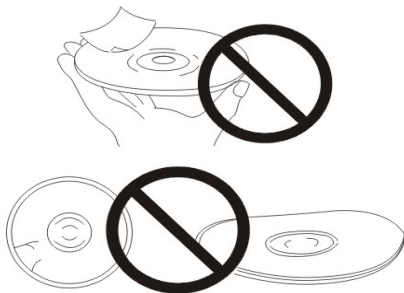
When holding  
With both hands



When holding  
with one hand



- Do not use damaged (cracked or warped) discs.
- Do not scratch the signal surface or let it get dirty.
- Do not attach paper or seals to discs. The player may be damaged if there is any exposed glue, etc., On discs. For rental discs in particular, extra labels are often attached to the discs. Check carefully for any exposed glue before using such discs.

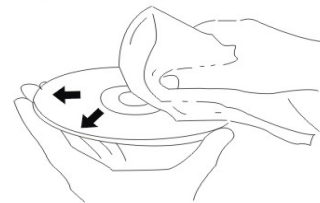


#### Storing discs

- Always place discs in their case and store them vertically. Avoid storing discs in hot or humid places, places exposed to direct sunlight and places in which the temperature is extremely low.
- Read any cautions included with the discs carefully.

#### Cleaning discs

- Fingerprints or dust on discs may reduce sound or picture quality. Remove them by gently wiping the disc from the center toward the edges using a soft cloth.



- Do not use benzene, thinner or other volatile chemicals. Do not use record spray or antistatic spray either.
- We recommend using the separately sold cleaning set to clean discs.
- For tough dirt, apply some water to a soft cloth, wring out thoroughly, wipe off the dirt, then wipe the disc with a dry cloth.

#### Irregular shaped discs

Irregular shaped discs (heart-shaped discs, hexagonal discs, etc.) cannot be played on this player. Doing so could damage the player. Never use such discs.





# TROUBLESHOOTING

	Symptom	Cause	Remedy
General	Power does not turn on. (No sound is produced.)	Fuse is blown	Replace with fuse of the same amperage. If the fuse blows again, consult your store of purchase
		In correct wiring	Consult your local retailer.
	Nothing happens when buttons are pressed. Display is not Accurate	Power antennal lead is shorted to ground excessive current is required or remote on the amplifiers or power antenna.	<ol style="list-style-type: none"> <li>1. Turn off the unit.</li> <li>2. Remove all wires attached to the power antenna lead. Check each wire for a possible short to ground using an ohm meter.</li> <li>3. Turn on the unit.</li> <li>4. Reconnect each amplifier remote wire to the power antenna lead one by one. If the amplifiers turn off before all wires are attached, use an external replay to provide remote-on voltage (excessive current required).</li> </ol>
		Panel or main unit Connectors are dirty	Wipe the dirt off with a soft cloth moistened with cleaning alcohol.
	CD	Sound is bad directly after power is turned on.	Compact disc is dirty
Compact disc is heavily scratched or warped			Replace with a compact disc without scratches.
Sound is bad directly after power is turned on.		Water droplets may form on the internal lens when the car is parked in a humid place	Let it dry for about 1 hour with the power on.

# TROUBLESHOOTING

SYMPTOM	CAUSE	SOLUTION
NO POWER	THE CAR IGNITION IS NOT ON.	IF THE POWER SUPPLY IS PROPERLY CONNECTED TO THE CAR ACCESSORY SWITCH THE IGNITION KEY TO "ACC".
	THE FUSE IS BLOWN.	REPLACE THE FUSE.
DISC CANNOT BE LOADED.	PRESENCE OF DISC INSIDE THE PLAYER	REMOVE THE DISC IN THE PLAYER THEN PUT A NEW UPWARD.
DISC CANNOT BE READ.	INSERTING THE DISC IN UPSIDE DOWN.	INSERT THE COMPACT DISC WITH THE LABEL FACING UPWARD.
	COMPACT DISC IS EXTREMELY DIRTY OR DEFECTIVE.	CLEAN THE DISC OR TRY TO PLAY A NEW ONE.
	TEMPERATURE INSIDE THE CAR IS TOO HIGH.	COOL OFF UNTIL THE AMBIENT TEMPERATURE RETURNS TO NORMAL.
NO SOUND	VOLUME IS IN MINIMUM.	ADJUST VOLUME TO A DESIRED LEVEL.
	WIRING IS NOT PROPERLY CONNECTED.	CHECK WIRING CONNECTION.
THE OPERATION KEYS DO NOT WORK.	THE BUILT-IN MICROCOMPUTER IS NOT OPERATING PROPERLY DUE TO NOISE.	PRESS THE POWER BUTTON FOR ABOUT 10 SECONDS TO RESET THE UNIT.
	FRONT PANEL IS NOT PROPERLY FIX INTO ITS PLACE.	
SOUND SKIPS.	THE INSTALLATION ANGLE IS MORE THAN 30 DEGREES.	ADJUST THE INSTALLATION ANGLE TO LESS THAN 30 DEGREES.
	THE DISC IS EXTREMELY DIRTY OR DEFECTIVE.	CLEAN THE COMPACT DISC/TRY TO PLAY A NEW ONE.
THE RADIO DOES NOT WORK, THE RADIO STATION AUTOMATIC SELECTION DOES NOT WORK.	THE ANTENNA CABLE IS NOT CONNECTED THE SIGNALS ARE TOO WEAK.	INSERT THE ANTENNA CABLE FIRMLY SELECT A STATION MANUALLY.

# TECHNICAL SPECIFICATIONS

<b>General</b>	
Power supply:	11~16V DC
Current consumption:	max. 10 A
Maximum power output:	52W x 4 channels (max)
Compatible formats:	DVD/SVCD/VCD/HDCD/MP3/MP4/VIDEO/CDDA/Picture CDCD-R/-RW/DVD±R/±RW playback
Dimensions (W x D x H) / weight:	230*160*50 mm/2.5 kg
Working temperature range:	-10°C - +60°C
ESP function:	10 sec. for Audio CD, 120 sec. for MP3
<b>TFT display</b>	
Screen size:	9 inch
Resolution:	800*3(RGB)*480 pixel
Aspect ratio:	4:3/16:9
Brightness:	300 cd/m <sup>2</sup>
<b>FM Stereo Radio</b>	
Frequency range(EUROPE AREA):	87.5 – 108MHz(Step 50KHz)
Frequency range(SOUTH AMERICA AREA)	87.5 – 108MHz(Step 100KHz)
Frequency range(RUSSIA AREA)	87.5 – 108MHz(Step 50KHz) 65-74MHz(Step 10KHz)
Frequency range(U.S.A AREA)	87.5 – 107.9MHz(Step 200KHz)
Preset memory stations:	18
<b>AM/MW Radio</b>	
Frequency range(EUROPE AREA):	522kHz - 1620 KHz(Step 9KHz)
Frequency range(SOUTH AMERICA AREA)	520kHz - 1710 KHz(Step 10KHz)
Frequency range(RUSSIA AREA)	522kHz - 1620 KHz(Step 9KHz)
Frequency range(U.S.A AREA)	530kHz - 1710 KHz(Step 10KHz)
Preset memory stations:	12
<b>Audio Specification</b>	
Frequency response:	20 Hz-20 KHz

Specifications are subject to change without notice. Mass and dimension are approximate.